

UPPER MACUNGIE TOWNSHIP
8330 Schantz Road
Breinigsville, PA 18031

PHONE: 610.395.4892 x35
E-MAIL pstark@uppermac.org
FAX: 610.395.9355

TO: Deck Builder
FROM: Pat Stark
DATE: 2009
SUBJECT: Deck permit information - three copies plans, one application

Please complete all sections of the permit application that apply to the work you are doing.

Ask for a copy of the foundation as-built for the site. Draw your deck with the setbacks on the as-built and send three copies with the application. Show distances from the property line to the deck on all sides. If there is no as-built on file, draw a site plan to scale.

Provide dimensional lumber sizes for joists, decking, railing, columns, etc. Provide the span of the joists and girders. Provide detail of attachment of deck to the house.

Show the depth (36 inch minimum), width (12 inch minimum), and location of the footings.
Show the height of the deck above grade.
Show the guardrail details including the height of the railing and the distance between the balusters.

Provide a Certificate of Insurance showing workers' compensation for any contractors on this particular job listing Upper Macungie Township as a certificate holder.

Turn a round time for a permit is fifteen business days. The average cost of a deck permit is \$75 and is not payable until the permit is reviewed, approved and issued.

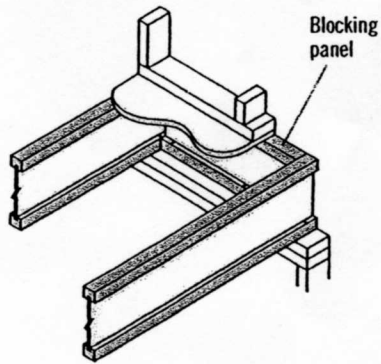
Questions? Please call 610-395-4892 x35.

PA ONE-CALL SYSTEM INC

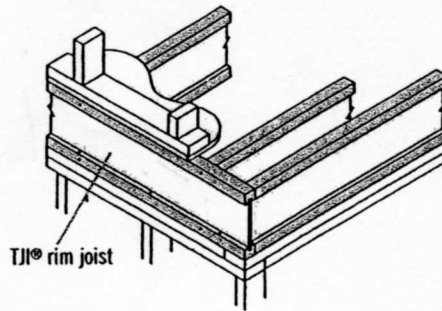
Call before your dig 1-800-242-1776 three days notice is the law.

Pat Stark

FLOOR DETAILS



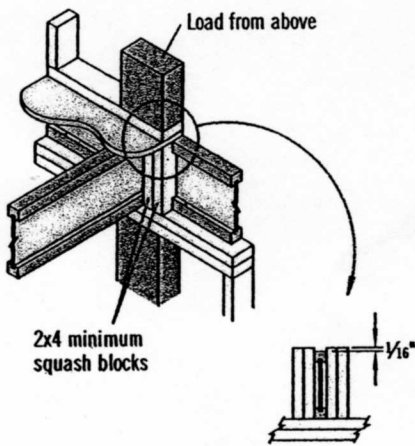
A1



A2

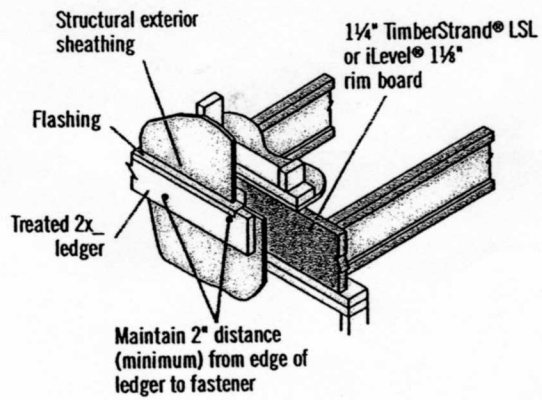
Must have 1 1/4" minimum joist bearing at ends

Exterior Deck Attachment



CS

Use 2x4 minimum squash blocks to transfer load around TJI joist



LA

Corrosion-resistant fasteners required for wet-service applications